

# OWNER'S MANUAL

## UGE-600 VAWT



INSTALLATION  
OPERATION  
MAINTENANCE

Urban Green Energy  
353 west 48th street  
Suite 302  
New York, NY 10036

# CONTENTS

INTRODUCTION	2
SAFETY INSTRUCTIONS	3
COMPONENTS	4
INSTALLATION	7

# INTRODUCTION

Dear UGE-600 VAWT Owner,

We would like to hear from you with any questions or comments that you have. Please call during working hours (Monday-Friday 9:00am to 6:00 pm - Eastern Standard Time). Our technical support number is (917) 512-7399. We can also be reached at [techsupport@urbangreenenergy.com](mailto:techsupport@urbangreenenergy.com).

Sincerely,

 Urban Green Energy

# SAFETY INSTRUCTIONS

1. Urban Green Energy strongly recommends the system be installed by trained professionals. The conditions of your warranty are dependent upon proper installation.
2. If the wind turbine is allowed to spin without a load, such as when the electronics are not completely and properly installed, the turbine may be "free-spinning" which can lead to extremely dangerous operation. ALLOWING YOUR WIND TURBINE TO FREE SPIN WILL VOID YOUR WARRANTY!
3. Install the product in accordance with the National Electric Code (NEC) and/or local electrical codes as applicable. Use only proper grounding techniques as established by the NEC.
4. This wind generator complies with international safety standards which must not be compromised. Opening the generator cover may compromise the safety and efficiency of the generator. Furthermore, opening the generator cover without manufacturer authorization will void the warranty.
5. During installation some components must be sealed to prevent water seepage. Failure to do so may lead to premature wear of your product and would compromise the warranty.
6. The UGE system uses high voltage and is potentially dangerous. Be sure to follow all safety precautions at all times.
7. Some components of the UGE-600 are very heavy. Do not attempt to lift or move them without a proper hoist or suitable machine. Doing so may result in personal injury.

# COMPONENTS



Turbine Blade

X 3



Generator

X 1

# COMPONENTS



Upper Connecting Arm

X 3



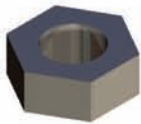
Lower Connecting Arm

X 3

# COMPONENTS



Axis

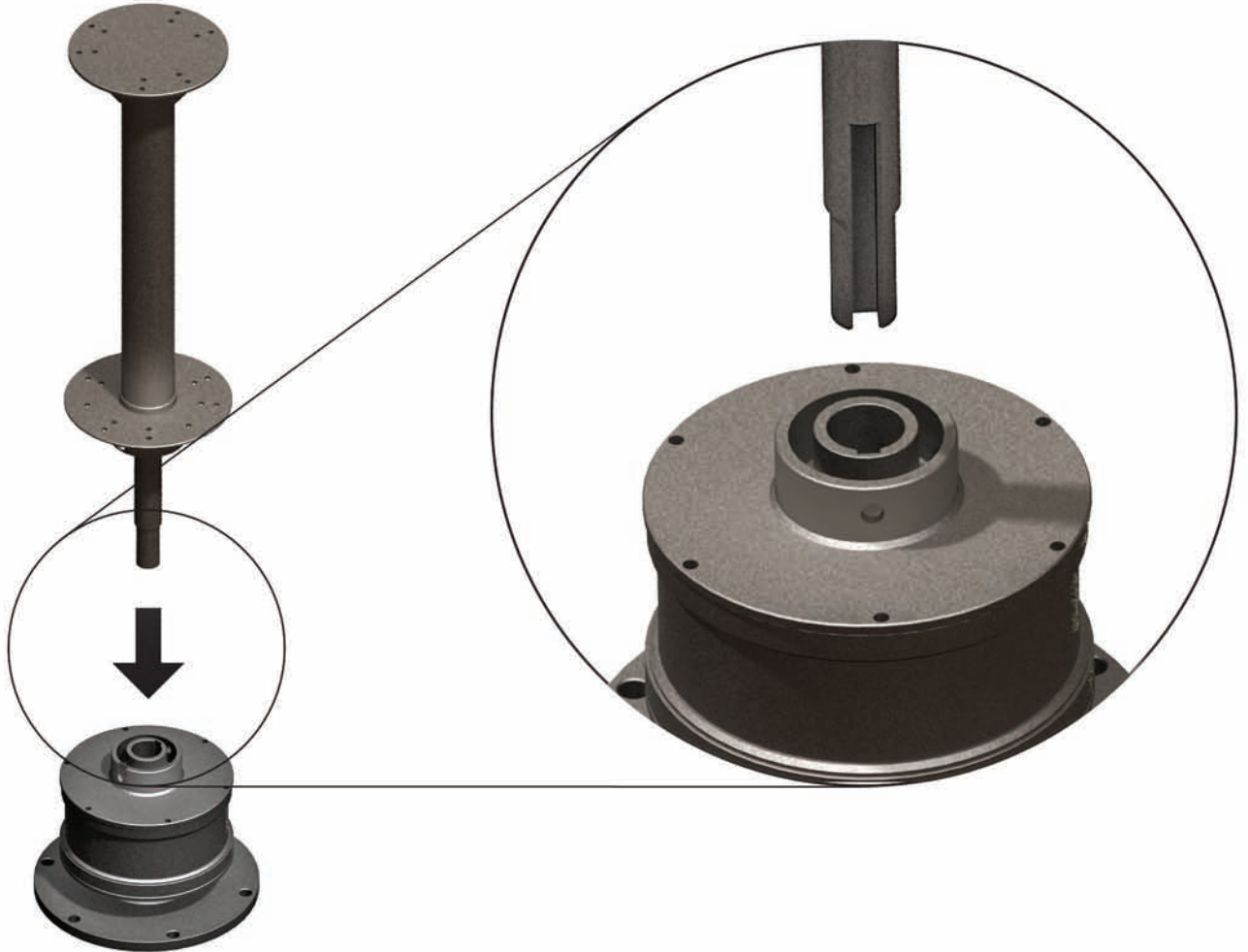


Axis Nut



# INSTALLATION

## STEP 1

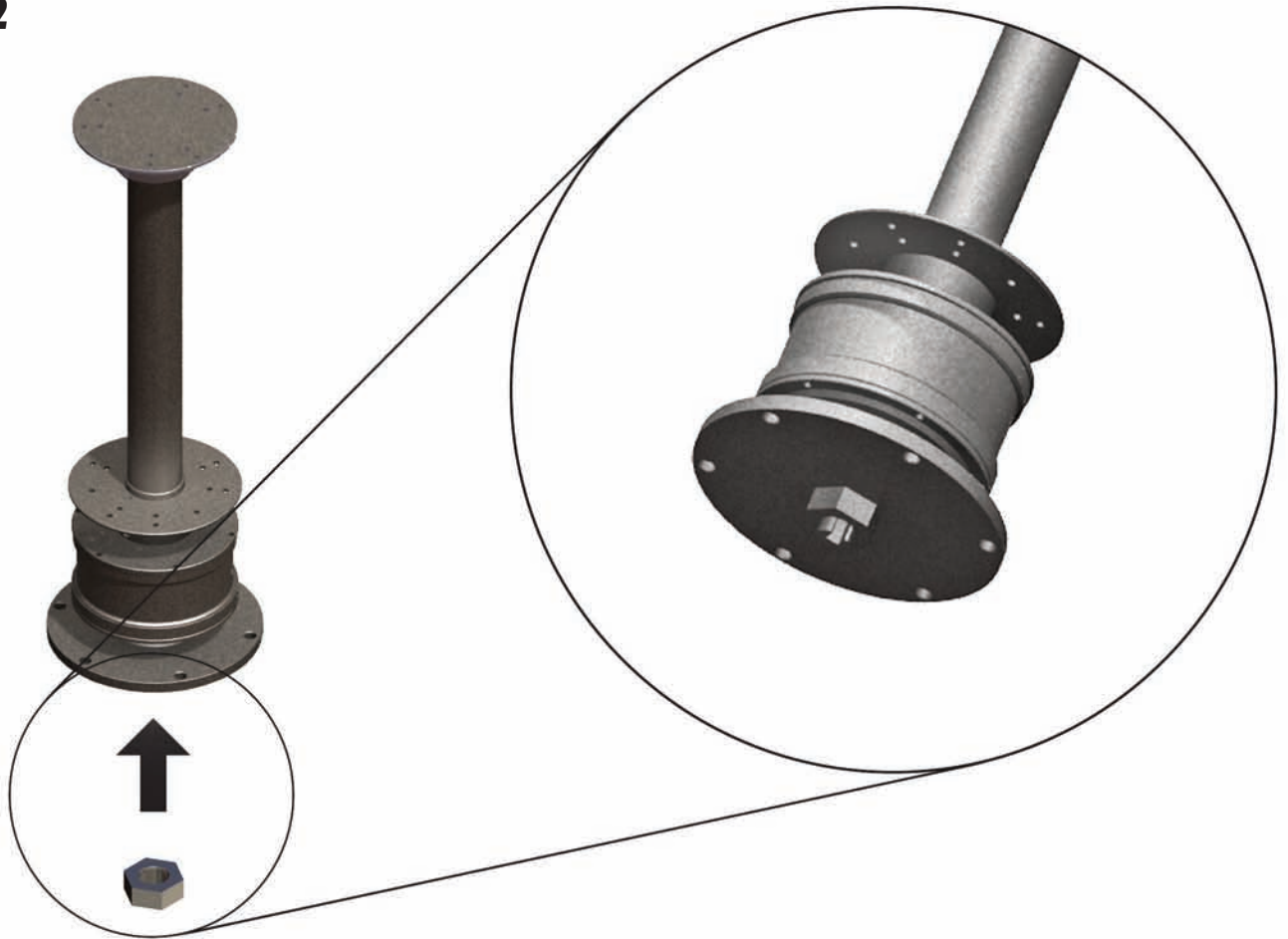


Insert the axis slowly through the generator's core, matching the guide key on the axis with the generator's groove, aligning the groove on the inner axis with the wires.

**CAUTION:**  
**ENSURE THE AXIS DOES NOT PINCH OR OTHERWISE DAMAGE THE GENERATOR WIRES.**

# INSTALLATION

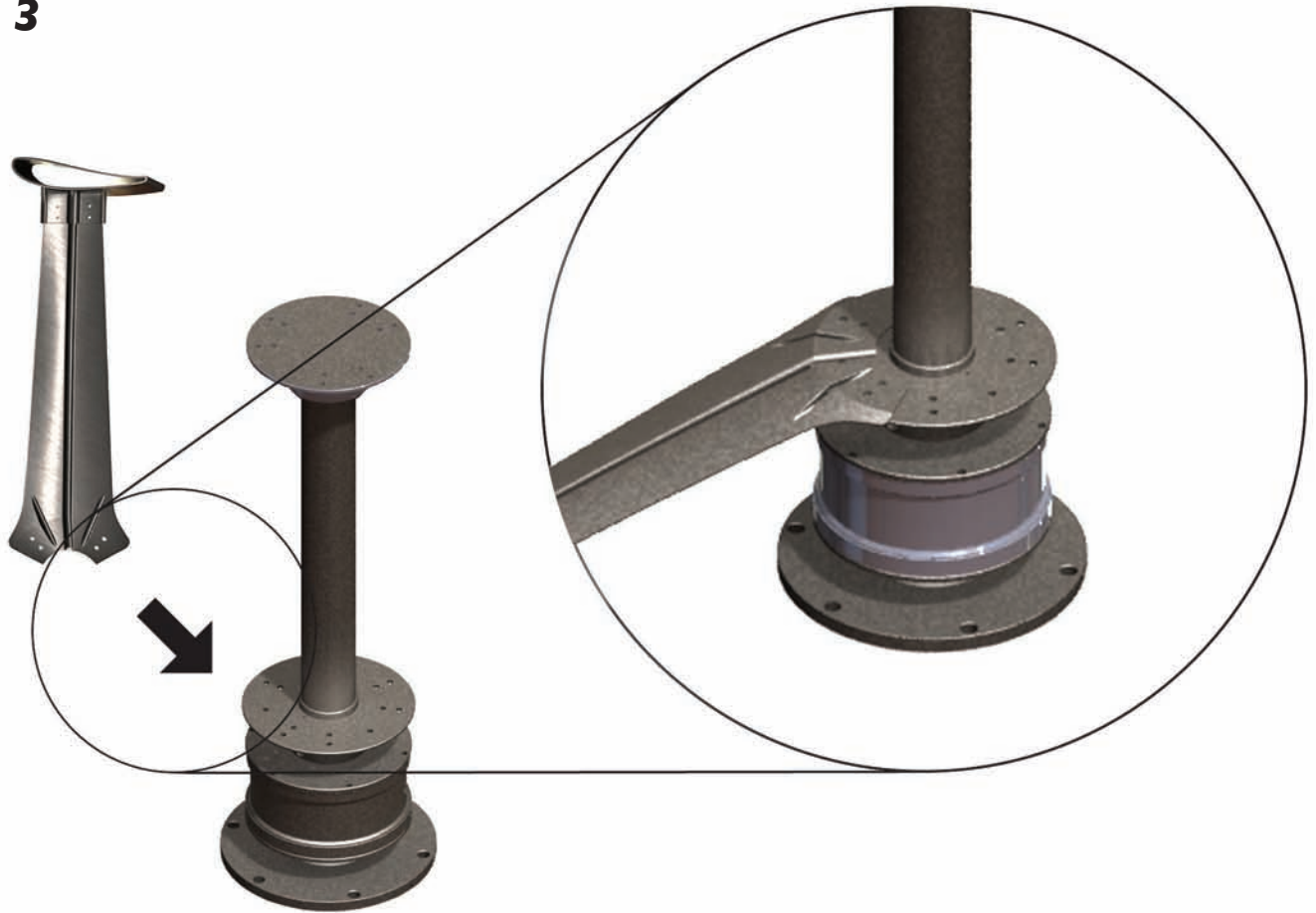
## STEP 2



Tighten the Axis Nut onto the bottom of the generator, securing the Axis in place.

# INSTALLATION

## STEP 3



Place the lower connecting arm onto the top surface of the lower connection plate flanges and secure in place with bolts.

**CAUTION:**

**DIFFERENTIATE THE UPPER CONNECTING ARMS WITH THE LOWER CONNECTING ARMS. CORRECT SETUP IS INDICATED BY THE BLUNT SIDE OF BOTH TYPES OF CONNECTING ARM'S SHEATHS ROTATING TOWARDS THE CLOCKWISE DIRECTION.**

# INSTALLATION

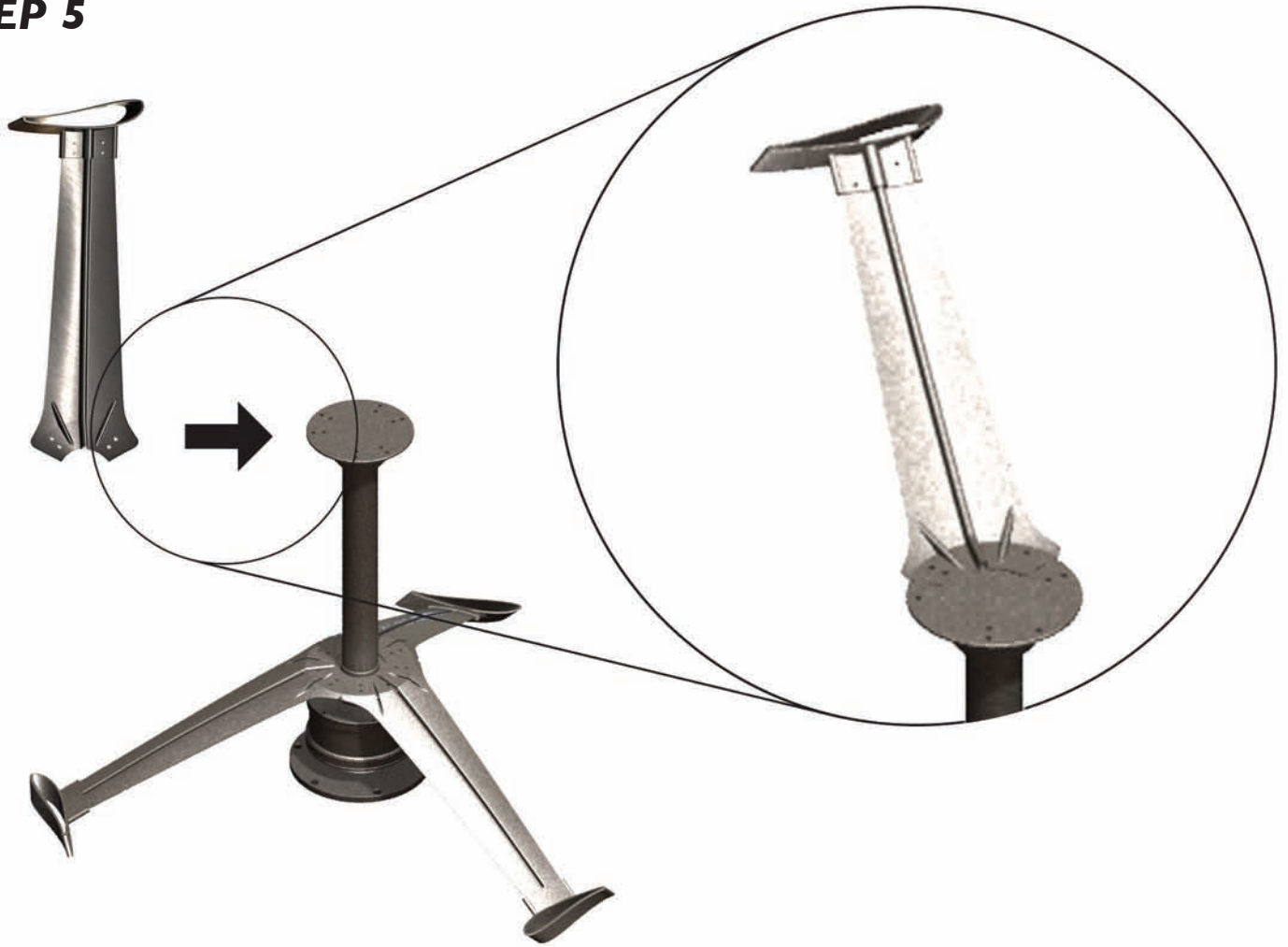
## STEP 4



Repeat **STEP 3** for the 2 remaining lower connecting arms.

# INSTALLATION

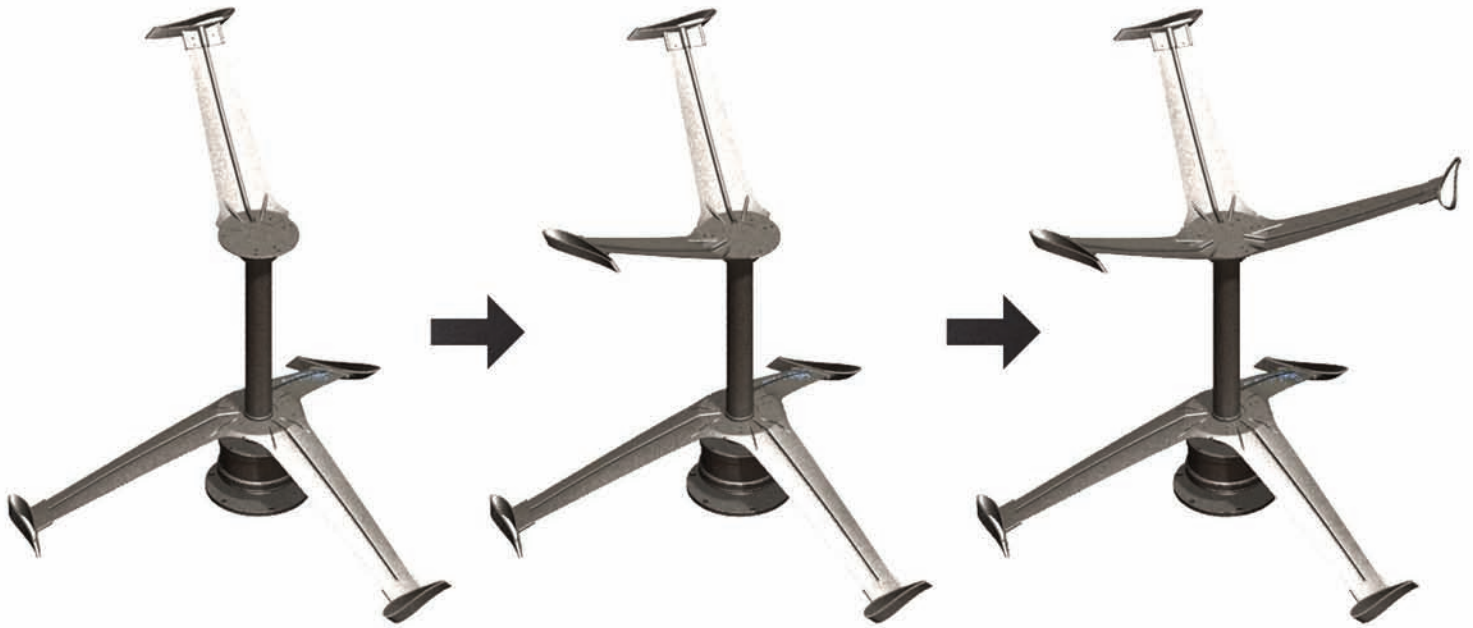
## STEP 5



Position the upper connecting arms into the top surface of the upper connection plate flanges and secure in place with bolts.

# INSTALLATION

## STEP 6



Repeat **STEP 5** for the 2 remaining upper connecting arms.

# INSTALLATION

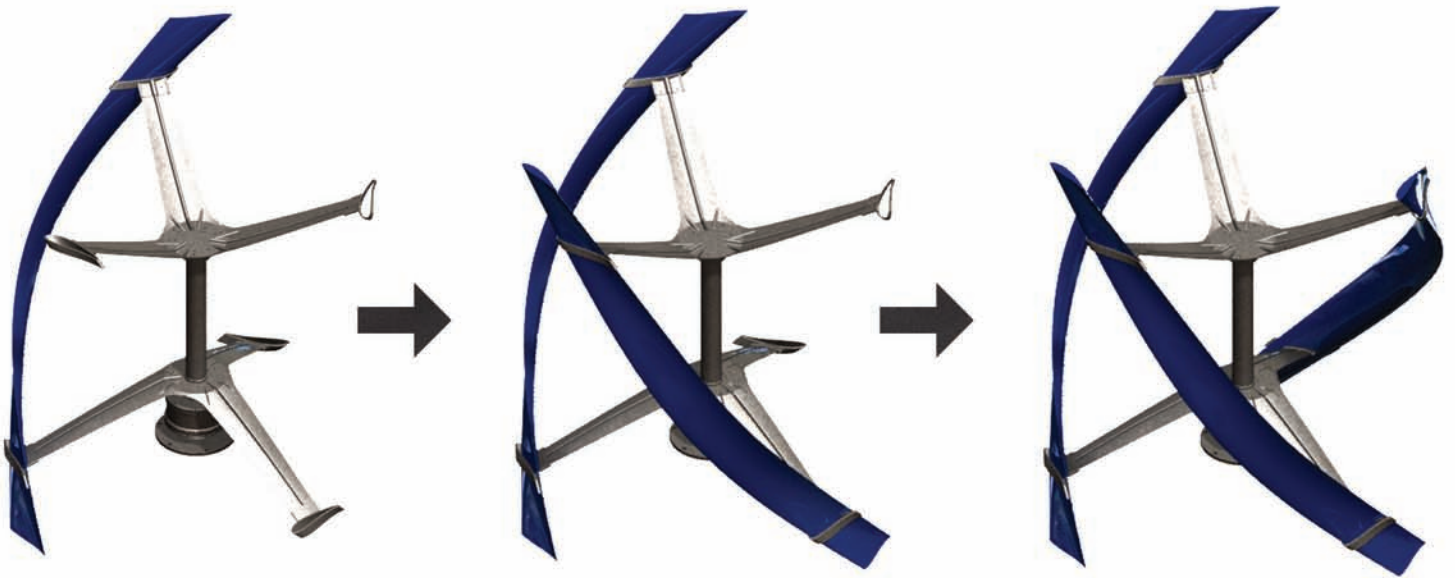
## STEP 7



Slide the turbine blade into upper connecting arm hoop, and corresponding lower connecting arm hoop. Use M6 bolts to fasten the blade to the connecting arms.

# INSTALLATION

## STEP 8

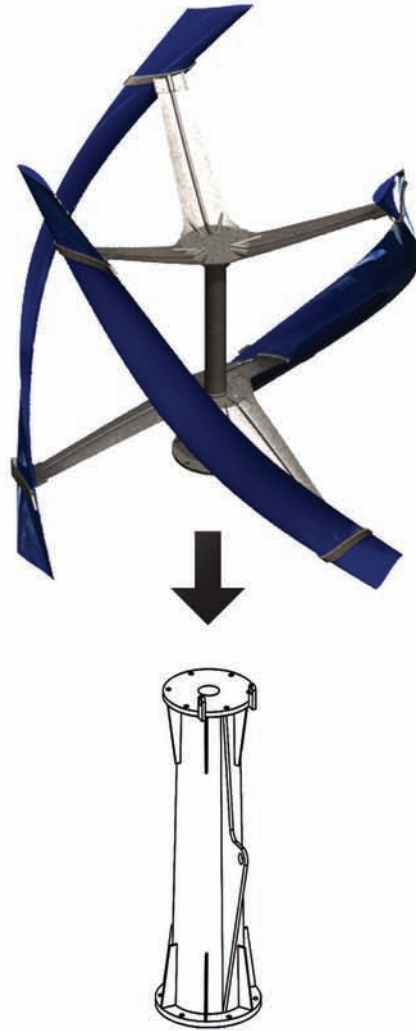


Repeat **STEP 7** for remaining 2 blades. With all blades installed, the turbine can now rotate freely without any resistance. This confirms that the turbine is good for operation.

**CAUTION:**  
**FASTENING GLUE SHOULD BE APPLIED TO ALL BOLTS.**

# INSTALLATION

## STEP 9



Eyehooks are included with the turbine, which can be attached to the top surface of the upper connection plate. Use these to lift the wind turbine up and mount onto a supporting tower.

# NOTES

# TECHNICAL SUPPORT

If your product requires troubleshooting or warranty service, contact your merchant. If you are unable to contact your merchant, or the merchant is unable to provide service, contact Urban Green Energy directly at:

**Urban Green Energy**

**353 West 48th Street  
Suite 302  
New York, NY 10036**

Tech. Support Phone: +1 (917) 512-7399  
Email: [techsupport@urbangreenenergy.com](mailto:techsupport@urbangreenenergy.com)