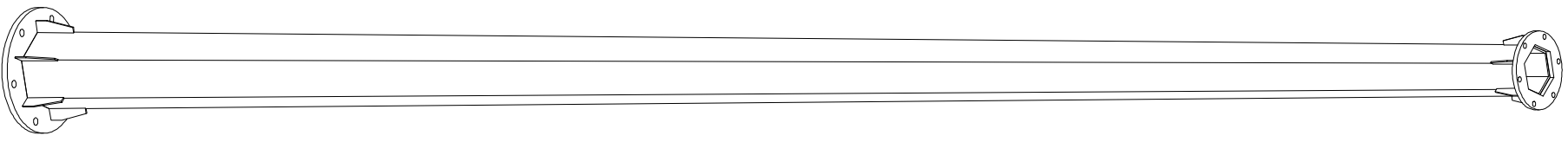
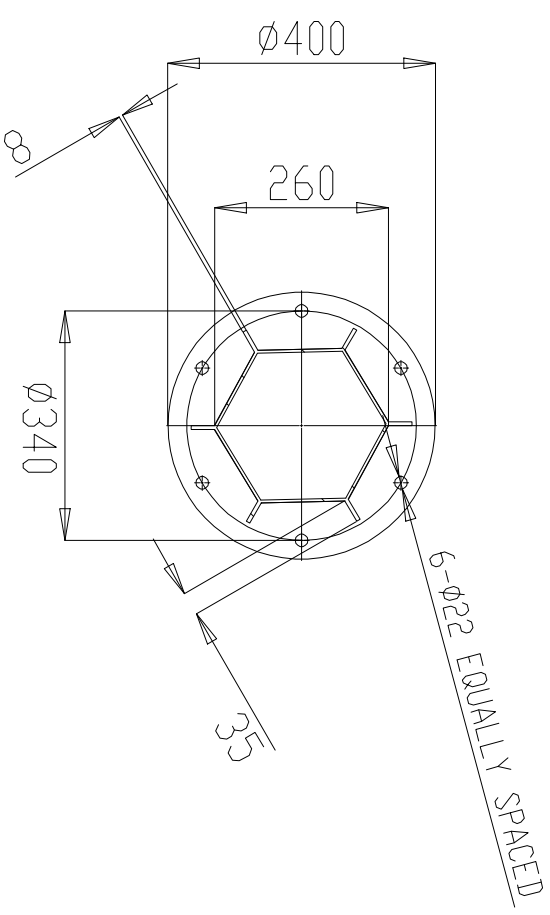
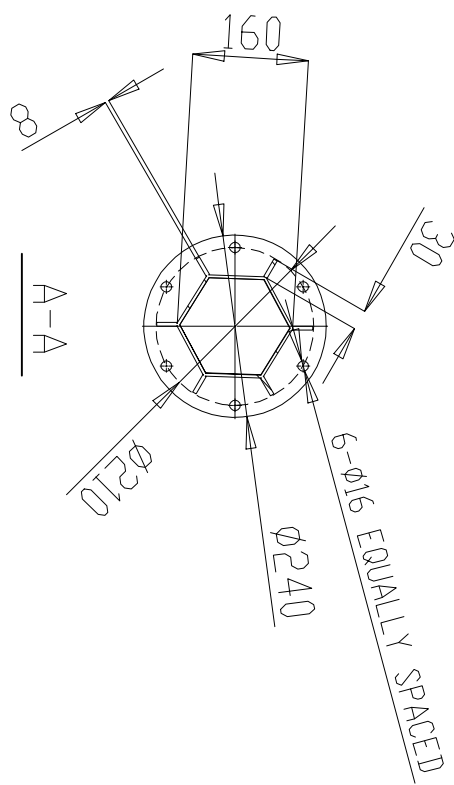


5.5M (18ft) TOWER

NOTES:

1. TOWER THICKNESS IS 6MM;
2. HOT GALVANIZED;
3. MATERIAL: Q235 STEEL
4. MEASUREMENTS IN MILLIMETERS UNLESS SPECIFIED OTHERWISE;



UGE-600-1550
DRAWING No.
DATE : 09/18/2009

PREPARED FOR:

DRAWING TITLE
UGE-600 5.5M (18ft) TOWER PLAN

| No. | REVISIONS/ SUBMISSIONS | DATE |
|-----|------------------------|------|
| | | |
| | | |
| | | |
| | | |

REVIEWED :
MODEL : UGE-600-1550

DRAWN : JASON WU
PROJECT NO. :

CONFIDENTIALITY AND COPYRIGHT NOTICE
THE INFORMATION CONTAINED IN THIS DRAWING IS THE SOLE PROPERTY OF URBAN GREEN ENERGY, INC. UNAUTHORIZED USE, DISCLOSURE, OR COPYING OF THIS DRAWING IS PROHIBITED.
COPYRIGHT 2009

Urban Green Energy
URBAN GREEN ENERGY
160 W. End Ave Suite 12J, New York, NY, 10023 USA
PHONE: 917.512.7399 FAX: 917.536.9957
www.urbangreenenergy.com